

Installation Guide

Danfoss Redia® RA click + RA-N / 015G5325
015G5326

Danfoss Redia® RA click with RA-N



VALVE Installation Montage Installation Instalación			
<p>1.</p>	<p>2.</p>	<p>3.</p>	

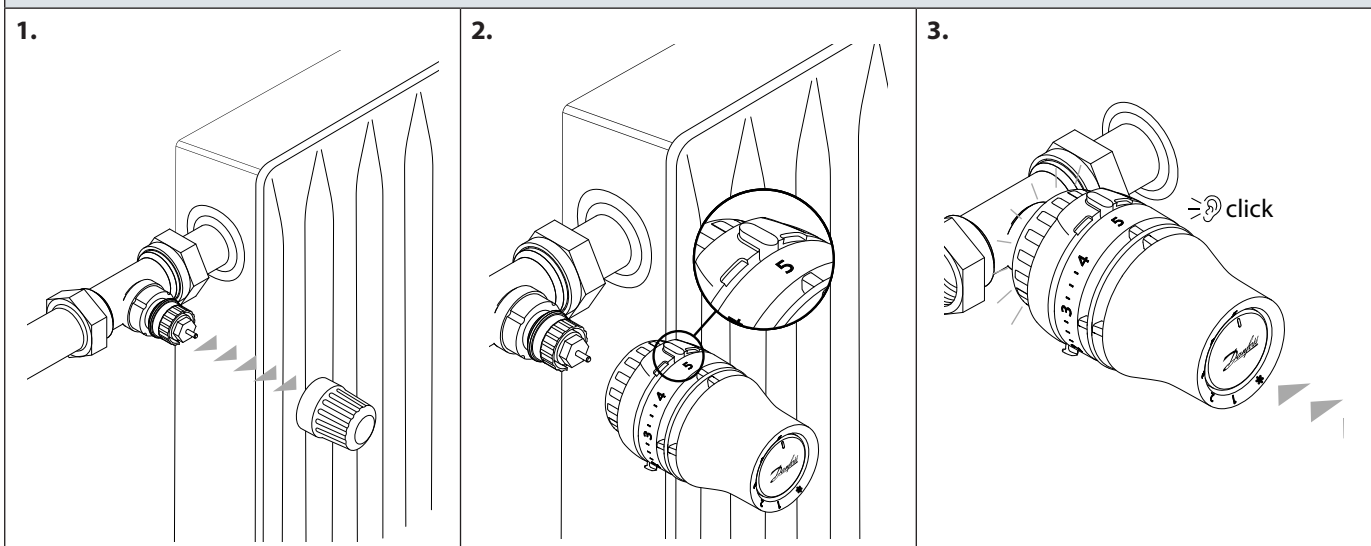
		Min.	Max.
		[Nm]	[Nm]
	DN10 3/8"	40	60
	DN15 1/2"	60	90
	DN20 3/4"	80	120

Danfoss Redia® RA with RA-N

Presetting table | Voreinstelltablelle | Tableau de prééréglage | Tabla de preajuste

<p>Code Number: Danfoss Redia® 015G5325 015G5326</p>	ΔT			1 2 3 4 5 6 7 N
	10K	15K	20K	
	\sim Watt			
	100	200	250	
	250	400	550	
	400	650	850	
	650	950	1300	
	900	1350	1800	
	1150	1750	2300	
	1350	2050	2750	
	1900	2900	3850	
$\Delta p=10kPa$				

SENSOR Installation | Montage | Installation | Instalación



Danfoss A/S

Climate Solutions • danfoss.com • +45 7488 2222

Any information, including, but not limited to information on selection of product, its application or use, product design, weight, dimensions, capacity or any other technical data in product manuals, catalogues descriptions, advertisements, etc. and whether made available in writing, orally, electronically, online or via download, shall be considered informative, and is only binding if and to the extent, explicit reference is made in a quotation or order confirmation. Danfoss cannot accept any responsibility for possible errors in catalogues, brochures, videos and other material. Danfoss reserves the right to alter its products without notice. This also applies to products ordered but not delivered provided that such alterations can be made without changes to form, fit or function of the product.

All trademarks in this material are property of Danfoss A/S or Danfoss group companies. Danfoss and the Danfoss logo are trademarks of Danfoss A/S. All rights reserved.