

## PEJB Series DC Junction Box

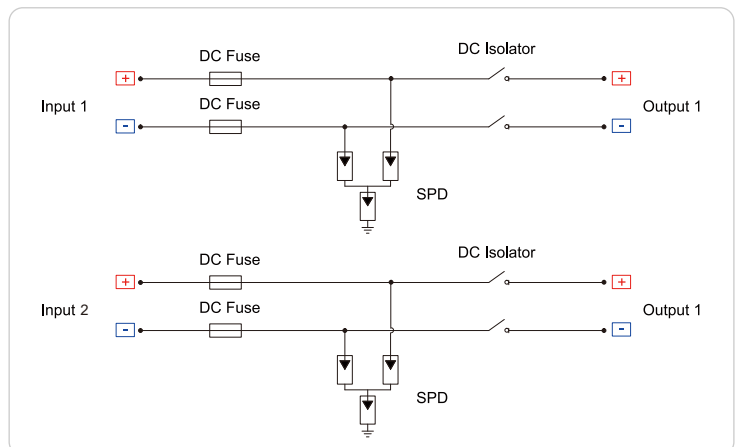


- Suitable for 2 strings input 2 strings output PV system, equipped with a surge protector and an isolator, providing isolation, leakage and grounding protection.
- Enclosures are made of polycarbonate (PC) materials. IK08 high impact-resistance and light enough to easily carry. IP66 rating for outdoor installation, resisting UV radiation, water, dust, reducing corrosion.
- Through transparency cover, you can observe interior mechanism directly.
- Reliable components, with TUV, CE certificated, in accordance with IEC standard.
- IP68 cable connector. Waterproof cable connector & MC4 connector are optional.

## Technical Data

| Model                      | PEJB-2-2                                                         |
|----------------------------|------------------------------------------------------------------|
| <b>General Data</b>        |                                                                  |
| Input                      | 2 String                                                         |
| Output                     | 2 String                                                         |
| Max. Voltage               | 1000 V                                                           |
| Max. Output Current        | 25 A                                                             |
| Certification              | All components inside comply with CE, CB and TUV, NF is optional |
| <b>Enclosure</b>           |                                                                  |
|                            | Standard, Size 6P (8P Optional)                                  |
| Material Type              | Polycarbonate                                                    |
| Anti-UV                    | Yes                                                              |
| Flame Retardant            | Yes                                                              |
| Ingress Protection Rating  | IP66                                                             |
| Impact Protection Rating   | IK08                                                             |
| Input Cable Specification  | PG25, 2.5 to 4 mm <sup>2</sup>                                   |
| Output Cable Specification | PG25, 2.5 to 4 mm <sup>2</sup>                                   |
| <b>DC Isolator</b>         |                                                                  |
| Nominal Insulation Voltage | 1000 VDC                                                         |
| Nominal Current            | 25 A                                                             |
| Category                   | DC-21B/PV2                                                       |
| Standard                   | IEC 60947-3                                                      |
| Certification              | TUV, CE                                                          |
| <b>DC Surge Arrester</b>   |                                                                  |
| Max. Operation Voltage     | 1000 VDC                                                         |
| Max. Discharge Current     | 40 kA                                                            |
| Standard                   | EN50539 Type 2                                                   |
| Up                         | 4 kV                                                             |
| <b>DC Fuse</b>             |                                                                  |
|                            | Optional, 1P*2                                                   |
| Nominal Voltage            | 1000 V                                                           |
| Nominal Current            | 25 A                                                             |
| Pole                       | 1P                                                               |
| <b>Environment</b>         |                                                                  |
| Operating Temperature      | -20 °C to +60 °C                                                 |
| Humidity                   | 99%                                                              |
| Altitude                   | 2000 m                                                           |
| Installation               | Wall Mounting                                                    |

## Diagram



Note: More strings input and output or higher capacity of current and voltage in each string can be customized.

### ProJoy Electric Co., Ltd.

XinTang Industrial Zone, PingJiang District, Suzhou, China  
 Tel: +86 512 6878 6489 | Fax: +86 512 6878 6489  
 Email: sales@projoy-electric.com | www.projoy-electric.com